

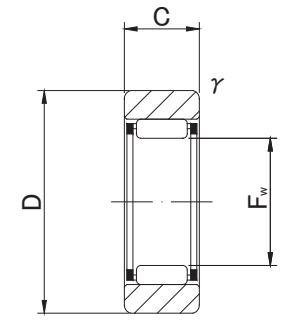
ROLLER FOLLOWERS
STAINLESS STEEL
 SEPARABLE WITHOUT INNER RING



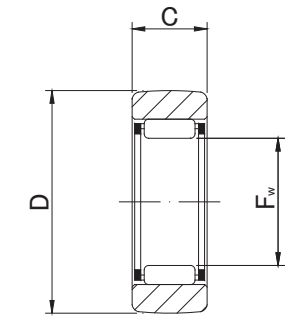
SUS/INOX



RNAST..M



RNAST..M



RNAST..MR

RNAST..M TYPE

Prepacked Grease

Shaft Diameter (mm)	Designation		Dimensions (mm)				Basic dynamic load rating	Basic static load rating	Track load capacity		Limiting speed *	Mass		
	Cylindrical outer ring	Crowned outer ring (R500)	Fw	D	C	r/s min			Cr N	Cor N			Cylindrical outer ring N	Crowned outer ring N
7	RNAST 5M	RNAST 5MR	7 ^{+0.022} / _{+0.013}	16	7.8	0.3	2 520	2 190	2 350	1 080	30 000	8.9		
10	RNAST 6M	RNAST 6MR	10 ^{+0.027} / _{+0.016}	19	9.8	0.3	3 790	4 180	3 530	1 370	20 000	13.9		
12	RNAST 8M	RNAST 8MR	12 ^{+0.027} / _{+0.016}	24	9.8	0.6	5 220	5 410	4 020	1 860	17 000	23.5		
14	RNAST10M	RNAST10MR	14 ^{+0.027} / _{+0.016}	30	11.8	1	8 920	8 890	5 590	2 450	15 000	42.5		
16	RNAST12M	RNAST12MR	16 ^{+0.027} / _{+0.016}	32	11.8	1	9 560	10 020	5 980	2 740	13 000	49.5		
20	RNAST15M	RNAST15MR	20 ^{+0.033} / _{+0.020}	35	11.8	1	11 310	13 150	6 570	3 140	10 000	50		
22	RNAST17M	RNAST17MR	22 ^{+0.033} / _{+0.020}	40	15.8	1	16 000	19 220	10 900	3 720	9 500	90		
25	RNAST20M	RNAST20MR	25 ^{+0.033} / _{+0.020}	47	15.8	1	17 660	22 540	12 700	4 610	8 500	135		
30	RNAST25M	RNAST25MR	30 ^{+0.033} / _{+0.020}	52	15.8	1	19 040	26 120	14 100	5 290	7 000	152		
38	RNAST30M	RNAST30MR	38 ^{+0.041} / _{+0.025}	62	19.8	1	27 870	41 760	22 100	6 660	5 500	255		
42	RNAST35M	RNAST35MR	42 ^{+0.041} / _{+0.025}	72	19.8	1	29 620	46 550	25 700	8 130	5 000	375		
50	RNAST40M	RNAST40MR	50 ^{+0.041} / _{+0.025}	80	19.8	1.5	32 840	56 210	26 900	9 310	4 000	420		
55	RNAST45M	RNAST45MR	55 ^{+0.049} / _{+0.030}	85	19.8	1.5	34 130	61 080	28 500	10 100	4 000	460		
60	RNAST50M	RNAST50MR	60 ^{+0.049} / _{+0.030}	90	19.8	1.5	35 600	66 050	30 200	11 000	3 500	500		

* Suitable for grease lubrication. In case of oil lubrication, up to 130% of this value shall be permissible.

OUTER RINGS TOLERANCE

TYPE	Cylindrical outer ring	Crowned outer ring
RNAST5M	0/-8	0/-50
RNAST6M,RNAST8M,RNAST10M	0/-9	0/-50
RNAST12M,RNAST15M,RNAST17M,RNAST20M	0/-11	0/-50
RNAST25M,RNAST30M,RNAST35M,RNAST40M	0/-13	0/-50
RNAST45M,RNAST50M	0/-15	0/-50

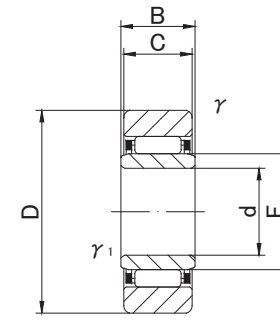
RNAST..M

RNAST..M

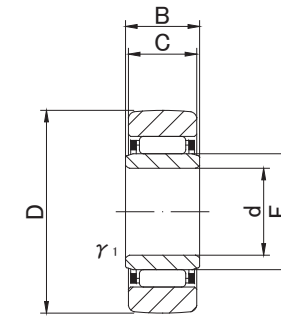
ROLLER FOLLOWERS
STAINLESS STEEL
 SEPARABLE WITH INNER RING




NAST..M



NAST..M



NAST..MR

NAST..M TYPE

Prepacked Grease

Shaft Diameter (mm)	Designation		Dimensions (mm)								Basic dynamic load rating	Basic static load rating	Track load capacity		Limiting speed *	Mass	
	Cylindrical outer ring	Crowned outer ring (R500)	d	D	B	C	r1s min	r1s min	F	Cr N			Cor N	Cylindrical outer ring N			Crowned outer ring N
6	NAST 6M	NAST 6MR	6 ⁰ _{-0.008}	19	10	9.8	0.3	0.3	10	3 790	4 180	3 530	1 370	20 000	17.8		
8	NAST 8M	NAST 8MR	8 ⁰ _{-0.008}	24	10	9.8	0.6	0.3	12	5 220	5 410	4 020	1 860	17 000	28		
10	NAST10M	NAST10MR	10 ⁰ _{-0.008}	30	12	11.8	1	0.3	14	8 920	8 890	5 590	2 450	15 000	50		
12	NAST12M	NAST12MR	12 ⁰ _{-0.008}	32	12	11.8	1	0.3	16	9 560	10 020	5 980	2 740	13 000	58		
15	NAST15M	NAST15MR	15 ⁰ _{-0.008}	35	12	11.8	1	0.3	20	11 310	13 150	6 570	3 140	10 000	62		
17	NAST17M	NAST17MR	17 ⁰ _{-0.010}	40	16	15.8	1	0.3	22	16 000	19 220	10 900	3 720	9 500	110		
20	NAST20M	NAST20MR	20 ⁰ _{-0.010}	47	16	15.8	1	0.3	25	17 660	22 540	12 700	4 610	8 500	155		
25	NAST25M	NAST25MR	25 ⁰ _{-0.010}	52	16	15.8	1	0.3	30	19 040	26 120	14 100	5 290	7 000	180		
30	NAST30M	NAST30MR	30 ⁰ _{-0.010}	62	20	19.8	1	0.6	38	27 870	41 760	22 100	6 660	5 500	320		
35	NAST35M	NAST35MR	35 ⁰ _{-0.012}	72	20	19.8	1	0.6	42	29 620	46 550	25 700	8 130	5 000	440		
40	NAST40M	NAST40MR	40 ⁰ _{-0.012}	80	20	19.8	1.5	1	50	32 840	56 210	26 900	9 310	4 000	530		
45	NAST45M	NAST45MR	45 ⁰ _{-0.012}	85	20	19.8	1.5	1	55	34 130	61 080	28 500	10 100	4 000	580		
50	NAST50M	NAST50MR	50 ⁰ _{-0.012}	90	20	19.8	1.5	1	60	35 600	66 050	30 200	11 000	3 500	635		

* Suitable for grease lubrication. In case of oil lubrication, up to 130% of this value shall be permissible.

OUTER RINGS TOLERANCE (Outside diameter) (µm)

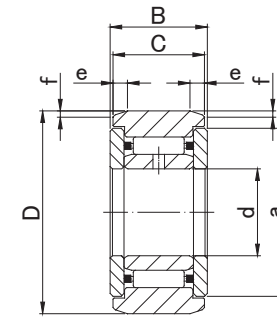
TYPE	Cylindrical outer ring	Crowned outer ring
NAST6M,NAST8M,NAST10M	0/-9	0/-50
NAST12M,NAST15M,NAST17M,NAST20M	0/-11	0/-50
NAST25M,NAST30M,NAST35M,NAST40M	0/-13	0/-50
NAST45M,NAST50M	0/-15	0/-50

ROLLER FOLLOWERS
STAINLESS STEEL
SEPARABLE WITH INNER RING WITH SHIELD

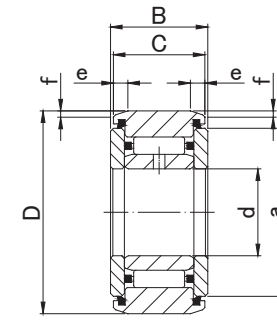
SUS/INOX SUS/INOX



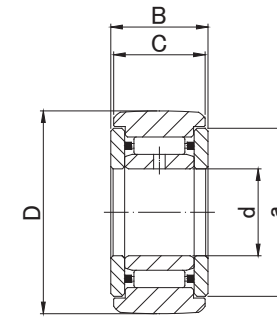
NAST..MZZ



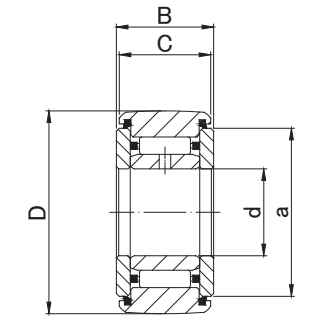
NAST..MZZ



NAST..MZZUU



NAST..MZZR



NAST..MZZUUR

NAST..MZZ TYPE

Prepacked Grease

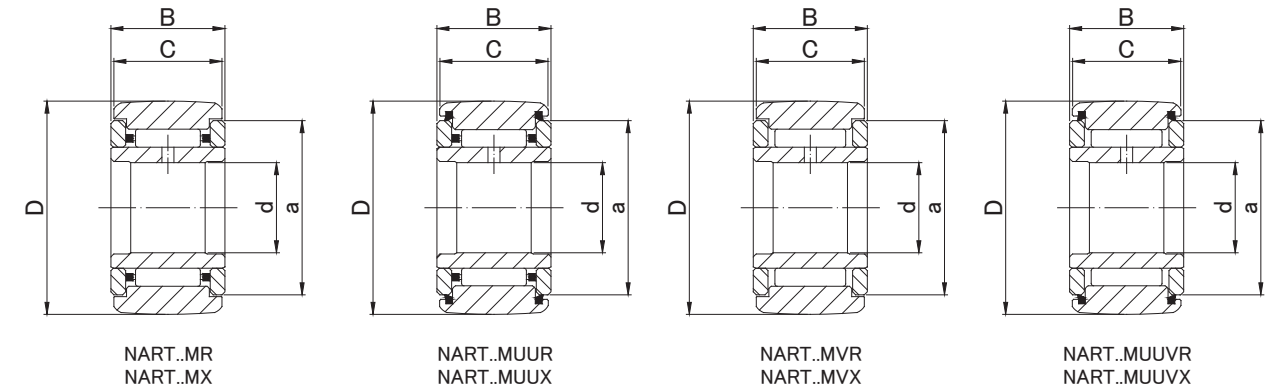
Shaft Diameter (mm)	Designation				Dimensions (mm)								Basic dynamic load rating	Basic static load rating	Track load capacity		Limiting speed * rpm	Mass g (approx)	
	Cylindrical outer ring		Crowned outer ring (R500)		d	D	B	C	a	e	f	Cr N			Cor N	Cylindrical outer ring N			Crowned outer ring N
	Without seals	With seals	Without seals	With seals															
6	NAST 6MZZ	NAST 6MZZUU	NAST 6MZZR	NAST 6MZZUUR	6 ⁰ _{-0.008}	19	14	13.8	14	2.5	0.8	3 790	4 180	3 530	1 370	20 000	24.5		
8	NAST 8MZZ	NAST 8MZZUU	NAST 8MZZR	NAST 8MZZUUR	8 ⁰ _{-0.008}	24	14	13.8	17.5	2.5	0.8	5 220	5 410	4 510	1 860	17 000	39		
10	NAST10MZZ	NAST10MZZUU	NAST10MZZR	NAST10MZZUUR	10 ⁰ _{-0.008}	30	16	15.8	23.5	2.5	0.8	8 920	8 890	6 860	2 450	15 000	65		
12	NAST12MZZ	NAST12MZZUU	NAST12MZZR	NAST12MZZUUR	12 ⁰ _{-0.008}	32	16	15.8	25.5	2.5	0.8	9 560	10 020	7 350	2 740	13 000	75		
15	NAST15MZZ	NAST15MZZUU	NAST15MZZR	NAST15MZZUUR	15 ⁰ _{-0.008}	35	16	15.8	29	2.5	0.8	11 310	13 150	8 040	3 140	10 000	83		
17	NAST17MZZ	NAST17MZZUU	NAST17MZZR	NAST17MZZUUR	17 ⁰ _{-0.010}	40	20	19.8	32.5	3	1	16 000	19 220	11 800	3 720	9 500	135		
20	NAST20MZZ	NAST20MZZUU	NAST20MZZR	NAST20MZZUUR	20 ⁰ _{-0.010}	47	20	19.8	38	3	1	17 660	22 540	13 800	4 610	8 500	195		
25	NAST25MZZ	NAST25MZZUU	NAST25MZZR	NAST25MZZUUR	25 ⁰ _{-0.010}	52	20	19.8	43	3	1	19 040	26 120	15 300	5 290	7 000	225		
30	NAST30MZZ	NAST30MZZUU	NAST30MZZR	NAST30MZZUUR	30 ⁰ _{-0.010}	62	25	24.8	50.5	4	1.2	27 870	41 760	22 100	6 660	5 500	400		
35	NAST35MZZ	NAST35MZZUU	NAST35MZZR	NAST35MZZUUR	35 ⁰ _{-0.012}	72	25	24.8	53.5	4	1.2	29 620	46 550	25 700	8 130	5 000	550		
40	NAST40MZZ	NAST40MZZUU	NAST40MZZR	NAST40MZZUUR	40 ⁰ _{-0.012}	80	26	25.8	61.5	4	1.2	32 840	56 210	30 300	9 310	4 000	710		
45	NAST45MZZ	NAST45MZZUU	NAST45MZZR	NAST45MZZUUR	45 ⁰ _{-0.012}	85	26	25.8	66.5	4	1.2	34 130	61 080	31 100	10 100	4 000	760		
50	NAST50MZZ	NAST50MZZUU	NAST50MZZR	NAST50MZZUUR	50 ⁰ _{-0.012}	90	26	25.8	76	4	1.2	35 600	66 050	34 000	11 000	3 500	830		

* Without seals, suitable for grease lubrication. In case of oil lubrication, up to 130% of this value shall be permissible, and 70% of this value shall apply for types with seals.

OUTER RINGS TOLERANCE (Outside diameter) (µm)

TYPE	Cylindrical outer ring	Crowned outer ring
NAST6M,NAST8M,NAST10M	0/-9	0/-50
NAST12M,NAST15M,NAST17M,NAST20M	0/-11	0/-50
NAST25M,NAST30M,NAST35M,NAST40M	0/-13	0/-50
NAST45M,NAST50M	0/-15	0/-50

ROLLER FOLLOWERS
STAINLESS STEEL
NON SEPARABLE WITH INNER RING



NART.. M TYPE

Prepacked Grease

Shaft Diameter (mm)	Designation				Dimensions (mm)					Basic dynamic load rating	Basic static load rating	Track load capacity		Limiting speed *	Mass		
	Crowned outer ring R500(≤ NART17R) R1000(NART20R ≤)		Cylindrical outer ring		d	D	B	C	a			Cr N	Cor N			Crowned outer ring N	Cylindrical outer ring N
	Without seals	With seals	Without seals	With seals													
5	NART 5MR	NART 5MUUR	NART 5MX	NART 5MUUX	5 ⁰ _{-0.008}	16	12	11	12	3 330 6 210	3 420 7 670	1 080 1 080	3 430 3 430	25 000 8 500	14.5 15.1		
	NART 5MVR	NART 5MUUVR	NART 5MVX	NART 5MUUVX													
6	NART 6MR	NART 6MUUR	NART 6MX	NART 6MUUX	6 ⁰ _{-0.008}	19	12	11	14	3 860 7 020	4 320 9 470	1 370 1 370	4 020 4 020	20 000 7 000	20.5 21.5		
	NART 6MVR	NART 6MUUVR	NART 6MVX	NART 6MUUVX													
8	NART 8MR	NART 8MUUR	NART 8MX	NART 8MUUX	8 ⁰ _{-0.008}	24	15	14	17.5	6 070 10 850	6 710 14 350	1 860 1 860	5 950 5 950	17 000 5 500	41.5 42.5		
	NART 8MVR	NART 8MUUVR	NART 8MVX	NART 8MUUVX													
10	NART10MR	NART10MUUR	NART10MX	NART10MUUX	10 ⁰ _{-0.008}	30	15	14	23.5	7 910 14 350	7 630 16 650	2 450 2 450	7 060 7 060	15 000 5 000	64.5 66.5		
	NART10MVR	NART10MUUVR	NART10MVX	NART10MUUVX													
12	NART12MR	NART12MUUR	NART12MX	NART12MUUX	12 ⁰ _{-0.008}	32	15	14	25.5	8 370 15 450	8 460 18 860	2 740 2 740	7 450 7 450	13 000 4 500	71 73		
	NART12MVR	NART12MUUVR	NART12MVX	NART12MUUVX													
15	NART15MR	NART15MUUR	NART15MX	NART15MUUX	15 ⁰ _{-0.008}	35	19	18	29	13 240 23 090	16 190 33 480	3 140 3 140	11 200 11 200	10 000 3 500	102 106		
	NART15MVR	NART15MUUVR	NART15MVX	NART15MUUVX													
17	NART17MR	NART17MUUR	NART17MX	NART17MUUX	17 ⁰ _{-0.008}	40	21	20	32.5	17 110 29 440	20 700 42 500	3 720 3 720	14 400 14 400	9 500 3 000	149 155		
	NART17MVR	NART17MUUVR	NART17MVX	NART17MUUVX													
20	NART20MR	NART20MUUR	NART20MX	NART20MUUX	20 ⁰ _{-0.010}	47	25	24	38	22 170 38 360	30 080 61 910	7 150 7 150	21 000 21 000	8 000 2 500	250 255		
	NART20MVR	NART20MUUVR	NART20MVX	NART20MUUVX													
25	NART25MR	NART25MUUR	NART25MX	NART25MUUX	25 ⁰ _{-0.010}	52	25	24	43	23 730 41 860	34 500 72 680	8 230 8 230	23 200 23 200	7 000 2 500	285 295		
	NART25MVR	NART25MUUVR	NART25MVX	NART25MUUVX													
30	NART30MR	NART30MUUR	NART30MX	NART30MUUX	30 ⁰ _{-0.010}	62	29	28	50.5	33 300 55 010	52 340 101 560	10 500 10 500	33 000 33 000	5 500 1 800	470 485		
	NART30MVR	NART30MUUVR	NART30MVX	NART30MUUVX													
35	NART35MR	NART35MUUR	NART35MX	NART35MUUX	35 ⁰ _{-0.012}	72	29	28	53.5	35 140 57 960	57 770 111 780	12 900 12 900	38 000 38 000	5 000 1 700	640 655		
	NART35MVR	NART35MUUVR	NART35MVX	NART35MUUVX													
40	NART40MR	NART40MUUR	NART40MX	NART40MUUX	40 ⁰ _{-0.012}	80	32	30	61.5	42 500 70 100	77 920 151 060	14 900 14 900	44 400 44 000	4 000 1 400	845 865		
	NART40MVR	NART40MUUVR	NART40MVX	NART40MUUVX													
45	NART45MR	NART45MUUR	NART45MX	NART45MUUX	45 ⁰ _{-0.012}	85	32	30	66.5	45 350 73 780	87 580 166 610	16 100 16 100	47 000 47 000	4 000 1 300	915 935		
	NART45MVR	NART45MUUVR	NART45MVX	NART45MUUVX													
50	NART50MR	NART50MUUR	NART50MX	NART50MUUX	50 ⁰ _{-0.012}	90	32	30	76	47 010 77 370	94 110 182 160	17 300 17 300	50 000 50 000	3 500 1 200	980 1 010		
	NART50MVR	NART50MUUVR	NART50MVX	NART50MUUVX													

* Without seals, suitable for grease lubrication. In case of oil lubrication, up to 130% of this value shall be permissible, and 70% of this value shall apply for types with seals.

OUTER RINGS TOLERANCE (Outside diameter) (µm)

TYPE	Crowned outer ring	Cylindrical outer ring
NART5M	0/-50	0/-8
NART6M,NART8M,NART10M	0/-50	0/-9
NART12M,NART15M,NART17M,NART20M	0/-50	0/-11
NART25M,NART30M,NART35M,NART40M	0/-50	0/-13
NART45M,NART50M	0/-50	0/-15